

त्रैमासिक आकलन

सत्र 2022-23

कक्षा - 8

विषय- अंग्रेजी

माध्यम- हिंदी

समय- 03:00 घंटे

पूर्णांक-

8	0
---	---

परीक्षार्थी आईडी

--	--	--	--	--	--	--	--	--	--	--

परीक्षार्थी का नाम

.....

शाला का नाम

.....

वस्तुनिष्ठ प्रश्न

(Choose the correct option and write it in the given space)

- Q.1. In the lesson 'Water's for.....', to bake a pie, is mixed with mud. 02
a. Bread b. Water c. Tea d. Cake
.....
- Q.2. The little girl was plump but the little bird was 02
a. tall b. thin c. short d. long
.....
- Q.3. did you leave home? 02
a. When b. What c. Who d. Where
.....
- Q.4. A train is than the bullock cart. 02
a. fast b. faster c. fastest d. fasten
.....
- Q.5. 'I like climbing trees.' We can also write this sentence as: 02
'I like trees.'
a. climb b. to climb c. climbed d. climbs
.....
- Q.6. There was a bright star in the sky. Its was more than the other stars. 02
a. brightly b. brightened c. brighten d. brightness
.....

अतिलघु उत्तरीय प्रश्न

Q 7. Read the following passage and then sequence the sentences given below in a correct order. 04

They took a taxi to the railway station. The train was half an hour late. He got a window seat and saw the green fields passing by. They got down at a small station. From there, they took a cycle rickshaw to the bus station. They boarded the bus to the village, where their grandparents lived.

1. They travelled on a bus to their village.
2. They travelled in a taxi to the railway station
3. They went to the bus station on a cycle rickshaw.
4. He saw the fields passing by from the train.

.....
.....
.....
.....

Q 8. Complete the conversation between Asha and Bina. 04

Asha: Hello! May I know your name please?

Bina:.....

.....

Asha: Where are you from?

Bina:.....

.....

Asha: Where did you study?

Bina:.....

.....

Asha: Why didn't you take admission in GGV School ?

Bina:.....

.....

Q 9. Read the poem and answer the questions that follow: 04

Twinkle , twinkle little star
How I wonder, what you are!
Up above the world so high
Like a diamond in the sky.

Questions :

a. Who is the poet talking to?

.....

b. 'Up above the world so high' means the stars are

i) in the whole world.

ii) around the world.

iii) in the sky.

iv) close to the world.

c. What does the star shine like?

.....

d. Find a word which is the opposite of the word 'low'.

Q 10. Rearrange the given words in the order in which they occur in the dictionary.

04

Chauffeur ; Pilgrimage ; Memoir ; Sympathy ; Variety ; Measure ; Excellent ; Scramble

1. 2. 3.
 4. 5. 6.
 7. 8.

Q 11. Read the passage and answer the questions that follow:

04

In a village, once lived a shepherd. He was very poor. He did not have even a tiny cottage of his own. He had never been to school or learnt to read and write, for there were very few schools in those days.

a) Where did the shepherd live?

.....

b) Why did the shepherd not learn to read and write?

.....

c) Find the opposite of the words 'many' and 'big' from the passage.

.....

d) As per the passage-

"We won'tif we don't go to school."

लघु उत्तरीय प्रश्न

Q 12. Match the proverbs in column A to its correct meaning and rewrite in column B:

06

Column -A-	Column -B-	Meanings
Tomorrow never comes.		What one does is more important than what one says.
Action speaks louder than words		Eating proper food regularly keeps one healthy.
A bird in hand is worth two in the bush.		Always be disciplined in your day to day life.
Early to bed and early to rise makes a man healthy,		Working together is profitable.

wealthy and wise.	0	
An apple a day keeps the doctor away.		Don't postpone your work
Unity is strength.		Something with you is more valuable than what is in other's hand.

Q 13. Read the poem and complete its summary.

06

Sympathy

A plump little girl and a thin little bird
 Were out in the meadows together.
 'How cold that poor little bird must be
 Without any clothes like mine,' said she,
 'Although it is sunny weather.'
 'A nice little girl is that,' said he,
 'But, oh how cold she must be, for see!
 She hasn't a single feather!
 So each shivered to think of the other poor thing,
 Although it was sunny weather.

Summary

It was a weather. A girl and a bird
 together. The girl thought the bird
 might be cold without any
 And the bird thought the girl might be The girl
 felt sorry for the bird and bird Both
 had for each other.

Q 14. Read the extract from the lesson and answer the questions that follow:

06

She lifted its *pallu* and began waving it as she ran. When the engine driver saw Amala waving a red cloth, he slowed down. As the train neared her, Amala shouted, "Land-slide!" The driver applied the emergency brakes and stopped the train.

Answer the following questions:

a) What was the red cloth which the driver saw?

.....

Q 16.

Write a paragraph about a place you have visited. You can use the hints given.

10

[Hints: Name of the place; where is it; why did you go there; any specialty; what did you like about the place]

OR

Write a paragraph describing a sport/ game you like. You can use the hints given.

[Name of the game/sport. Indoor or outdoor sport equipments; bat/ ball/coins /marbles/stick number of players famous player/ match/tournament]

.....

.....

.....

.....

.....

.....

.....

.....

.....

.....

.....

.....

.....

.....

.....

.....

.....

.....

.....

.....

.....

.....

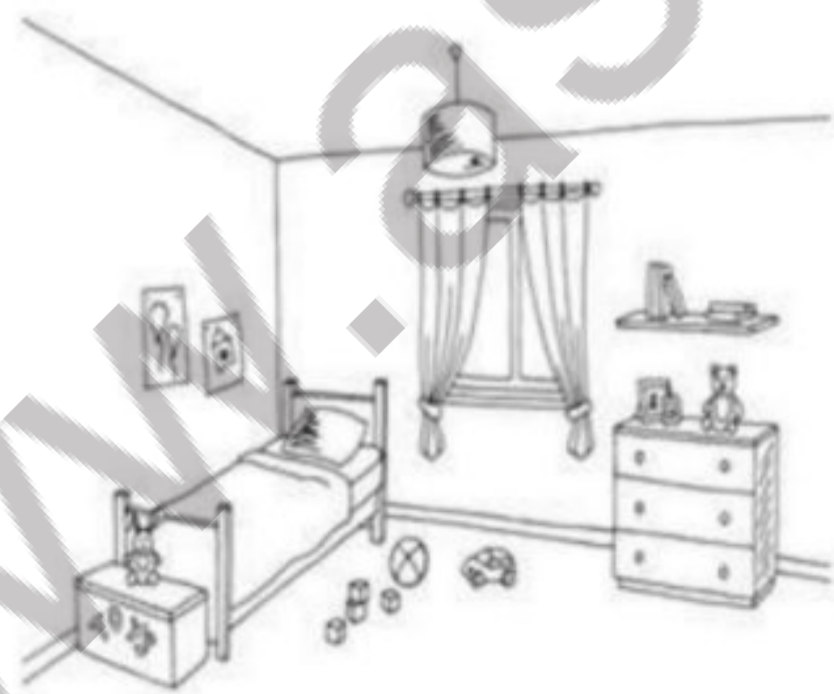
.....

Q 17.

Describe any one of the pictures in about 5 to 8 lines.

10

Bedroom



Classroom



[Hints: 'This is a picture of a...' 'There is/are...']

Bedroom/Classroom

.....

.....

.....

.....

.....

.....

.....

.....

.....

.....

.....

.....

.....

.....

.....

.....

.....

.....

.....

.....

.....

.....

www.askkclasses.com

त्रैमासिक आकलन
कक्षा - 8 वी
विषय - अंग्रेजी

वस्तुनिष्ठ प्रश्न

Q.1

Q.2

Q.3 (a) when

Q.4 (b) faster

Q.5 (b) to climb

Q.6 (d) brightness

अभिलेखनीय प्रश्न

Q.7

1. They travelled in a taxi to the railway station
2. He saw the fields passing by from the train
3. They went to the bus station on a cycle rickshaw.
4. They travelled on a bus to their village.

Question - 08

Asha: Hello! may I know your name please?

Bina: yes! My name is - Bina.

Asha: where are you from?

Bina: I am from. _____

Asha: where did you study?

Bina: I am study from -----

Asha: why didn't you take admission in Govt School?

Bina: Actually Govt School have come from a large distance from my home.

Question - 9

(a) Jane Taylor.

(b) In the sky

(c) The stars shine like diamond.

(d) high.

Question - 10

1. chauffeur

2. Excellent.

3. Memoir

4. measure

5. Pilgrimage

6. Sympath, 7. Scramble, 8 → Variety

Q. 11

a)

~~are~~

Shepherd live in the
village.

b)

school or learnt to Read and
write.

c)

many

-

straight

big

-

small

Q. 12

Column AColumn B

I	-	5
II	-	1
III	-	6
IV	-	3
V	-	2
VI	-	4

Q. 13

- (1) Sun shiny
- (2) meadows
- (3) Any cloth
- (4) feather
- (5) shivered
- (6) Sun shiny weather

Write a Letter to Your Friend

Describing the picnic at a historical place of interest



Date...

Address...

Dear Sakib,

I am glad to receive your letter. You want to know about the picnic I visited.

Now I am writing about it.

It was summer vacation. I arranged a picnic with some of my friends. We

I am glad to receive your letter. You want to know about the picnic I visited. Now I am writing about it.

It was summer vacation. I arranged a picnic with some of my friends. We chose to go to Sonargaon. We passed by a bus. After reaching there we had some breakfast. Then we rested. In the afternoon we had our lunch. After lunch we went out for darshan. Sonargaon is a place of historical interest. It was once the capital of Bengal. The museum in Sonargaon attracted us the most. We enjoyed the picnic but sadly we missed you so much. But next time hopefully better.

your dear friend,

Sakib.

① This is my classroom.

② you can see five boy in the picture

③ Floor is very clean.

④ you can see two chairs in the classroom
and one table.

⑤ every children, every books in the
classroom,

⑥ One teachers in the class.

⑦ teacher behind the blackboard in the
class.